

Spectrum® 125C

Issued April 2008 • Index No. PC/13.0

**Air Plasma
Cutting** 

Quick Specs

Industrial Applications

HVAC
Sheet Metal
Auto Body Repair
Home Hobby

Processes

Air Plasma Cutting

Rated Output 12 A at 110 VDC, 35% Duty Cycle

Max. Open-Circuit Voltage 335 VDC

Weight 50 lb (22.7 kg)

The Power of Blue.®

Portable for all your applications.

Spectrum® 125C comes complete with built-in heavy-duty compressor and only weighs 50 lb, offering the operator a high level of portability and convenience.

LVC™ line voltage compensation provides peak performance power under variable input voltage conditions (98 to 132 volts) for steady and cleaner ending cuts.

35% duty cycle is tested at 40° C (104° F) to give you the cutting power whenever you need it.

Heavy-duty work clamp.

No high-frequency starts that can interfere with or damage controls or computers.

Constant Pilot Arc Control helps the operator maximize tip life by eliminating the need to restart the arc at the beginning of each new cut.



TRUE BLUE
3YR WARRANTY

Power source is warranted for 3 years, parts and labor.
ICE torch is warranted for 1 year, parts and labor.



Spectrum Plasma Cutters offer reliability and performance that others can't match! See more at MillerWelds.com/reliable

Comes Complete With:

ICE-12C torch with 20 ft (6.1 m) cable, 20 ft (6.1 m) work cable with clamp, and 10 ft (3 m) power cord.

Built-in, heavy-duty industrial piston-driven compressor provides long life and superior airflow.

Constant output cutting power. The solid-state, constant-current design offers a consistent 12 amp cutting arc for continuous quality cutting up to 1/8 in steel.

Can be powered by any Miller engine drive with generator power output of 2 kW or more, such as the Bobcat or Trailblazer, or equivalent competitive equipment.

ICE-12C 20 ft (6.1 m) torch with patented trigger safety guard, is ergonomically built and includes drag tips for convenient cutting on all metals.

In-Rush Current Control Circuit protects the unit in case of wrong voltage hook-up or voltage overload.

Mild Steel Cutting Capability (Thickness to scale.)



12 ga (2.0 mm) at 35 IPM



Rated

1/8 in (3.2 mm) at 10 IPM

Rated cut capacity is based on traveling approximately 10 inches per minute to achieve a steady, precise cut. This is the key rating that should meet or exceed your typical cutting thickness requirements.

Note: Recommended maximum piercing capacity for hand-held applications is 12 gauge.

For aluminum and other metals with high thermal conductivity, cutting capacities will be derated as much as 30%.

MADE IN **USA**
APPLETON, WI **USA**



Miller Electric Mfg. Co.
An Illinois Tool Works Company
1635 West Spencer Street
Appleton, WI 54914 USA

International Headquarters
Phone: 920-735-4505
USA FAX: 920-735-4134
Canadian FAX: 920-735-4169
International FAX: 920-735-4125

Web Site
www.MillerWelds.com



Specifications (Subject to change without notice.)

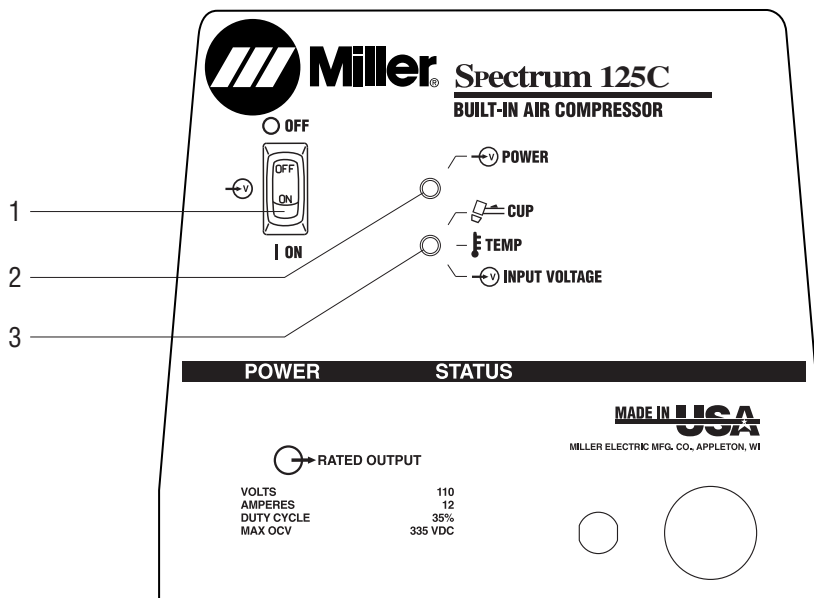


Model	Rated Output	Max. Open-Circuit Voltage	Amps Input at Rated Output, 1-Phase			Dimensions	Weight with Torch
			120 V	KVA	KW		
120 V, 60 Hz	12 A at 110 VDC	335 VDC	20	2.4	2.0	H: 13-1/2 in (343 mm) W: 8-1/2 in (216 mm) D: 16 in (406 mm)	Net: 50 lb (22.7 kg) Ship: 55 lb (24.95 kg)

Note: A 120 V, 20 A individual branch circuit is required to operate unit at or above rated cut capacity for an extended period of time.

Control Panel

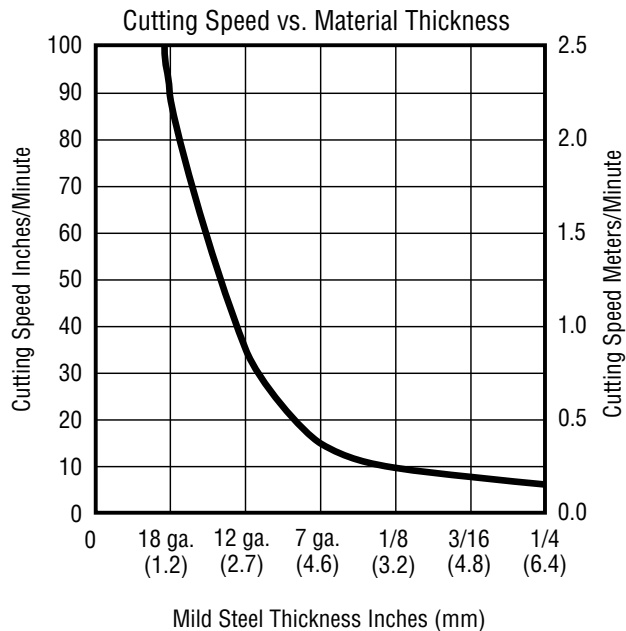
1. Power Switch
2. Power Light
3. Trouble Light



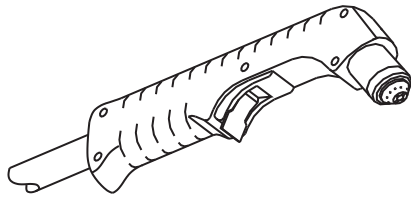
Cutting Performance

To determine the maximum rated cutting thickness of mild steel, follow the line from the 10 IPM (inches per minute) point on the cutting chart. The point at which this line intersects the cutting curve determines the maximum recommended production cutting thickness of the unit.

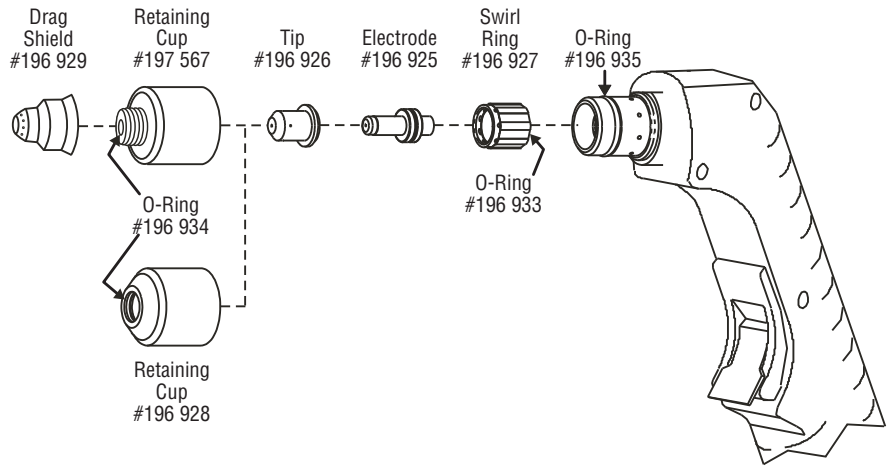
Note: The rating is based on 10 IPM because this is the minimum speed at which the operator achieves a smooth, steady cut when using a hand-held torch.



Replacement Torch and Consumables



ICE-12C Hand-Held Torch
#195 172 20 ft (6.1 m)



Genuine Miller Options and Accessories



No. 30A Economy Cart with Cord Wrap
#195 093

This economical running gear includes a cord wrap and provides mobility with an angle for easy front panel access and extra storage space.



Protective Cover #195 144

Attractive, mildew-resistant, odor-free, waterproof cover protects your machine's finish.

Miller Service Parts Accessories

The following accessories must be ordered from Miller Service Parts.



ICE-12C Consumable Kit #222 938

Consumable kit includes 4 electrodes, 4 tips, 1 cup, 1 drag shield, 1 o-ring and silicone grease.



Plasma Circle-Cutting Guide #195 981

Cut straight lines or circles up to 12 in diameter with ease.



Suction/Magnetic Pivot Base #195 979

Add this to your cutting guide for convenient attachment to all flat surfaces. The extended arm accommodates holes up to 30 in diameter.



Standoff Roller Guide #194 883

Helps maintain recommended standoff distance when using extended consumables.

Ordering Information

Power Source and Options	Stock No.	Description	Qty.	Price
Spectrum® 125C <i>Note: Each Spectrum unit includes ICE-12C, 20 ft (6.1 m) hand-held torch and extra consumables (2 standard electrodes, 2 standard tips).</i>	#907 149*	Single-phase, 120 VAC, 60 Hz		
Replacement Torch and Consumables				
ICE-12C Hand-Held Torch	#195 172	20 ft (6.1 m). <i>Order from Miller Service Parts</i>		
Consumables		See page 3		
Accessories				
No. 30A Economy Cart with Cord Wrap	#195 093			
Protective Cover	#195 144			
ICE-12C Consumable Kit	#222 938	Includes 4 electrodes, 4 tips, 1 cup, 1 drag shield, 1 o-ring, and silicone grease. <i>Order from Miller Service Parts</i>		
Standoff Roller Guide	#194 883	<i>Order from Miller Service Parts</i>		
Plasma Circle-Cutting Guide	#195 981	<i>Order from Miller Service Parts</i>		
Suction/Magnetic Pivot Base	#195 979	<i>Order from Miller Service Parts</i>		
Tips	#196 926	<i>Order from Miller Service Parts</i>		
Electrodes	#196 925	<i>Order from Miller Service Parts</i>		

Date:

Total Quoted Price:

 Certified by Canadian Standards Association to both Canadian and U.S. Standards.



Distributed by: